



## SKY-10W-WHITE 10" WINDOWS TERMINAL

### 10" ALL-IN-ONE POS SYSTEM

*10" All in One Fanless Terminal*

The TEAMSable all-in-one touch terminal, model SKY-10W-WHITE, is compact yet powerful and is perfect for installation environments with limited space. The SKY-10W-WHITE is sure to please with its modern, sleek design and advanced engineering. It comes loaded with premium standard features to keep pace with daily usage demands such as a powerful Intel Pentium QuadCore N3710 1.6GHz (up to 2.65GHz) CPU, 4G RAM, 64GB SSD, and a spill resistant PCAP zero bezel screen. The SKY-10W-WHITE also boasts an optimized cable management design and an intuitive 180 degrees rotating monitor for customer facing signature and payment applications for smooth, hassle-free transactions. The SKY-10W-WHITE comes packaged with a 3-year warranty, free tech support and a complimentary 90-day overnight replacement with call tag program from date of purchase. With all the advanced standard features and value price point the SKY terminal offers, it can help your business save and function more efficiently.

#### FEATURES



Cable-Free  
Management



Optional  
Integrated MSR



180 Flip  
Design



Customer Facing  
Application



[www.teamsable.com](http://www.teamsable.com)

1911 Hartog Dr. San Jose, CA 95131



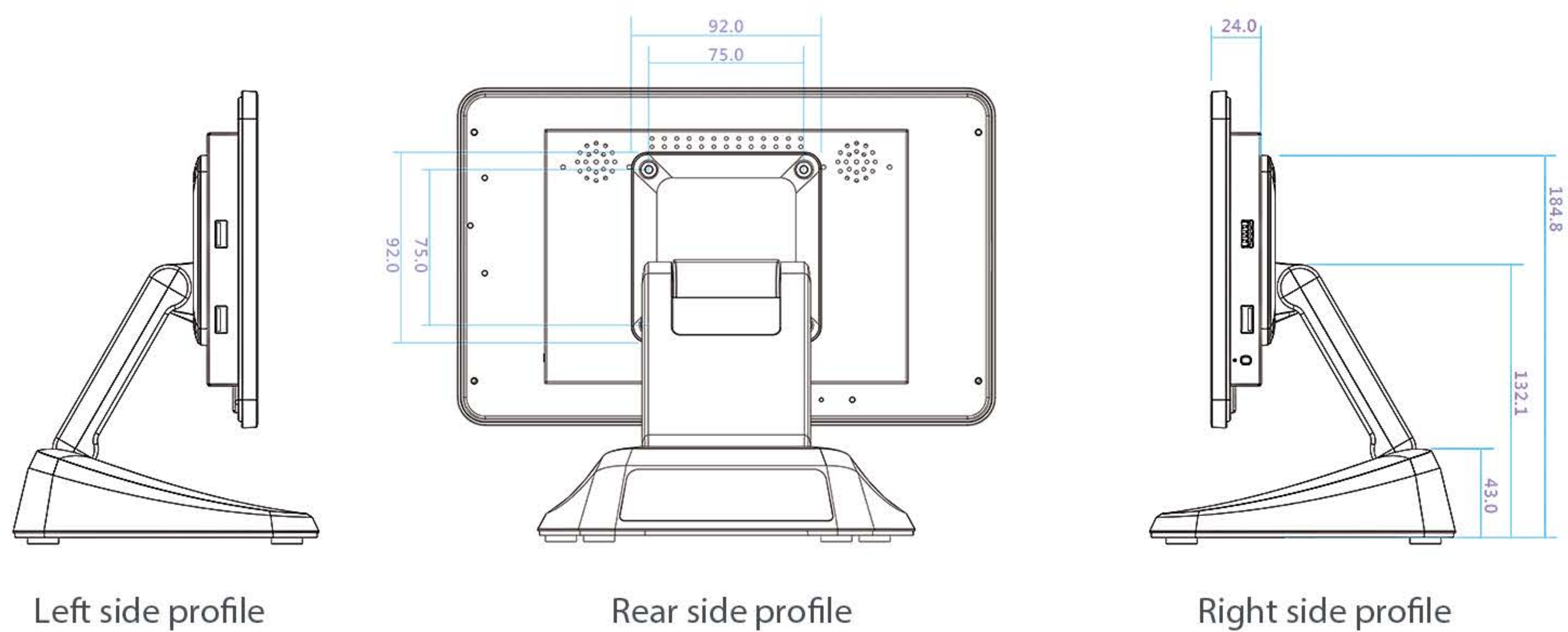
1-408-452-8788



[sales@teamresearchinc.com](mailto:sales@teamresearchinc.com)

# SKY-10W-WHITE Terminal

- 10" LED Display
- Bezel-Free, PCAP Multi-Touch
- Default SSD Storage
- Optional Integrated MSR reader
- 3 Years Warranty



Left side profile

Rear side profile

Right side profile

SKY-10W-WHITE	
<b>Hardware</b>	
Display	10.1" LED Panel
Resolution	1024x600
Brightness	300 nits
Touch Technology	Projective Capacitive Touch
CPU	Intel Pentium QuadCore N3710 1.6GHz (up to 2.65GHz)
Memory	4GB Standard (8GB upgradable)
Storage	64GB SSD MLC (M.2)
Power Supply	60W(12V/5A) power adapter
Speaker	2W x 2
<b>External Ports</b>	
USB	7 x USB (USB3.0x2, USB 2.0x5)
COM	2
Ethernet	1 x 10/100 Mbps
Cash Drawer	1 x RJ11
<b>Optional Peripherals</b>	
MSR	3 Tracks (Hardware key injectable)
OS Support	Windows 10 IOT 64bit
<b>Environment</b>	
Operating Temperature	0° - 40 °c ( 32 - 104 °F)
Storage Temperature	-10 - 55 °c (14 - 131 °F)
Relative Humidity	10% - 90% (Non-Condensing)
Certification	CE, FCC, RoHS, REACH, ISO9002
<b>Package</b>	
Dimension	260.4 x 216.0 x 24.0 mm
Weight	2.5kg