



12N-RM 12" ANDROID POS SYSTEM



12" ANDROID POS SYSTEM

12" All in One Fanless Terminal

The TEAMSable 12N-RM Android POS terminal is the entry model to our innovative line of Android based POS products.

The 12N-RM comes loaded with features wrapped in a modern, stylish design that is sure to complement any POS installation. Its 12" PCAP touchscreen offers best-in-class performance, and at its heart is a Cortex-A17, Quad Core, up to 1.8 GHz CPU that can handle most POS applications. If you want to add value and functionality to any business, 12N-RM would definitely be a smart choice for a cost-effective POS terminal.



Slim
Fanless Design



Cable-Free
Management



Integrated MSR
(Optional)



Fold Flat with
Z stand



www.teamsable.com

1911 Hartog Dr. San Jose, CA 95131



1-408-775-8384

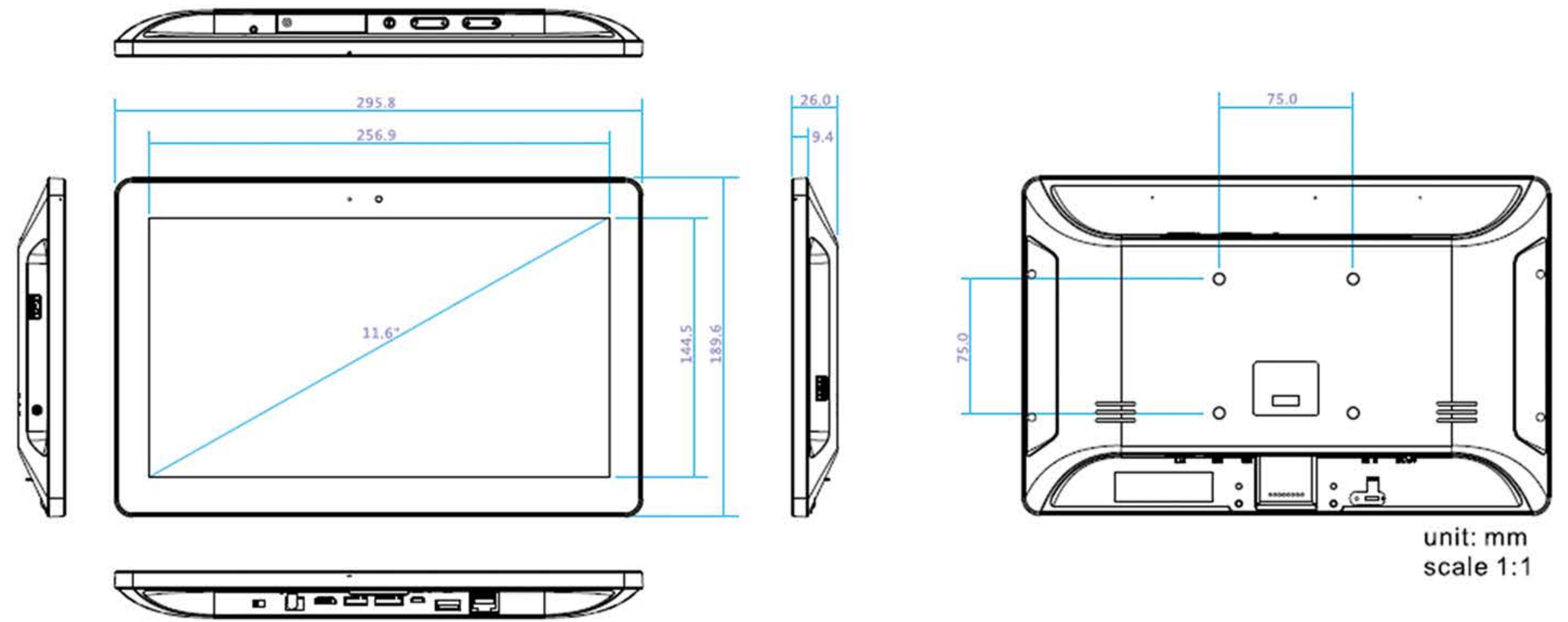


sales@teamsable.com

12N-RM

12" Android System

- Cortex-A17, Quad Core, up to 1.8 GHz
- Perfect for Retail or Hospitality Operations
- Price Checker, Inventory Checker
- Wall Mountable or Table Stand optional
- Optional Add-On Devices: Bar code Scanner, MSR



12N-RM	
Hardware	
Display	11.6" TFT LCD
Resolution	1920 RGB (H) x1080 (V)
Back-light	LED Side-light type
Touch Technology	10 point capacitive
CPU	Cortex-A17, Quad Core, up to 1.8 GHz
Memory	2GB DDR3
Storage	Internal Storage Memory: 8 GB eMMC External Storage Memory: SD Card
Wifi	802.11 a/b/g/n/ac
Bluetooth	BT4.2
Camera	Front: 2M Pixels (optional)
Function keys	+, -, Up, Down, Exit
Software	
OS	Android 6.0.1, Marshmallow
External Ports	
SD card slot	SD card
USB 2.0	Type A Port x 3 Micro USB Port x 1 Add-on Module slot x 1
Ethernet	RJ45
DC Adapter port	12V/2A DC adapter x 1
Headset Audio port	1
Optional Peripherals	
MSR	Available
Scanner	Available
Environment	
Certification	ROHS
Package	
Dimension	(L)360mm x (W)235mm x (H)50mm
Weight	920g